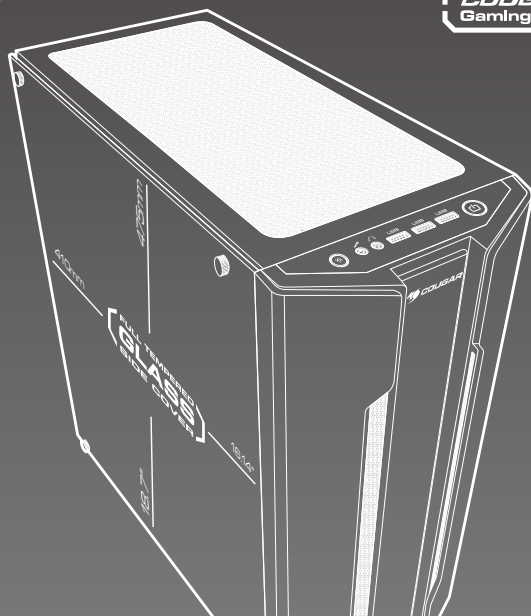




REAL GEAR FOR REAL GAMERS



# GEMINI S

GEMINI S IS AN ADVANCED GAMING MID-TOWER CASE WITH A FULL-SIZED TEMPERED GLASS COVER AND AN INTEGRATED RGB LIGHTING SYSTEM THAT DELIVERS EVERYTHING A GAMER NEEDS.

## INTEGRATED RGB LIGHTING

Gemini S features COUGAR's exclusive Trelux integrated lighting system. This advanced design allows it to display fourteen amazing lighting effects without installing any additional devices in the case and control them through the integrated lighting button.

## ELEGANT DESIGN

Gemini S' brushed metal-like front panel gives it a unique look that sets it apart from other compact cases. This texture is also a great companion to the integrated lighting since the powerful lights coming out of it benefit from the reflective surroundings that help reinforce the effects.

## FULL SIDE VISIBILITY

To help you appreciate your system's full beauty, a full-sized tempered glass side window will allow you to contemplate your system's interior.

## GREAT SUPPORT FOR COMPONENTS

You won't believe how powerful a gaming beast you can build inside Gemini S. Its advanced support for graphics cards (up to three 410mm-long graphics cards) will allow you to enjoy the latest games with smooth framerates.

## TOP-NOTCH COOLING

Gemini S' compact layout allows you to install eight fans and three water cooling radiators, with the front and top ones up to 360mm. This immense cooling potential will enable you to choose freely the components you want in your build.

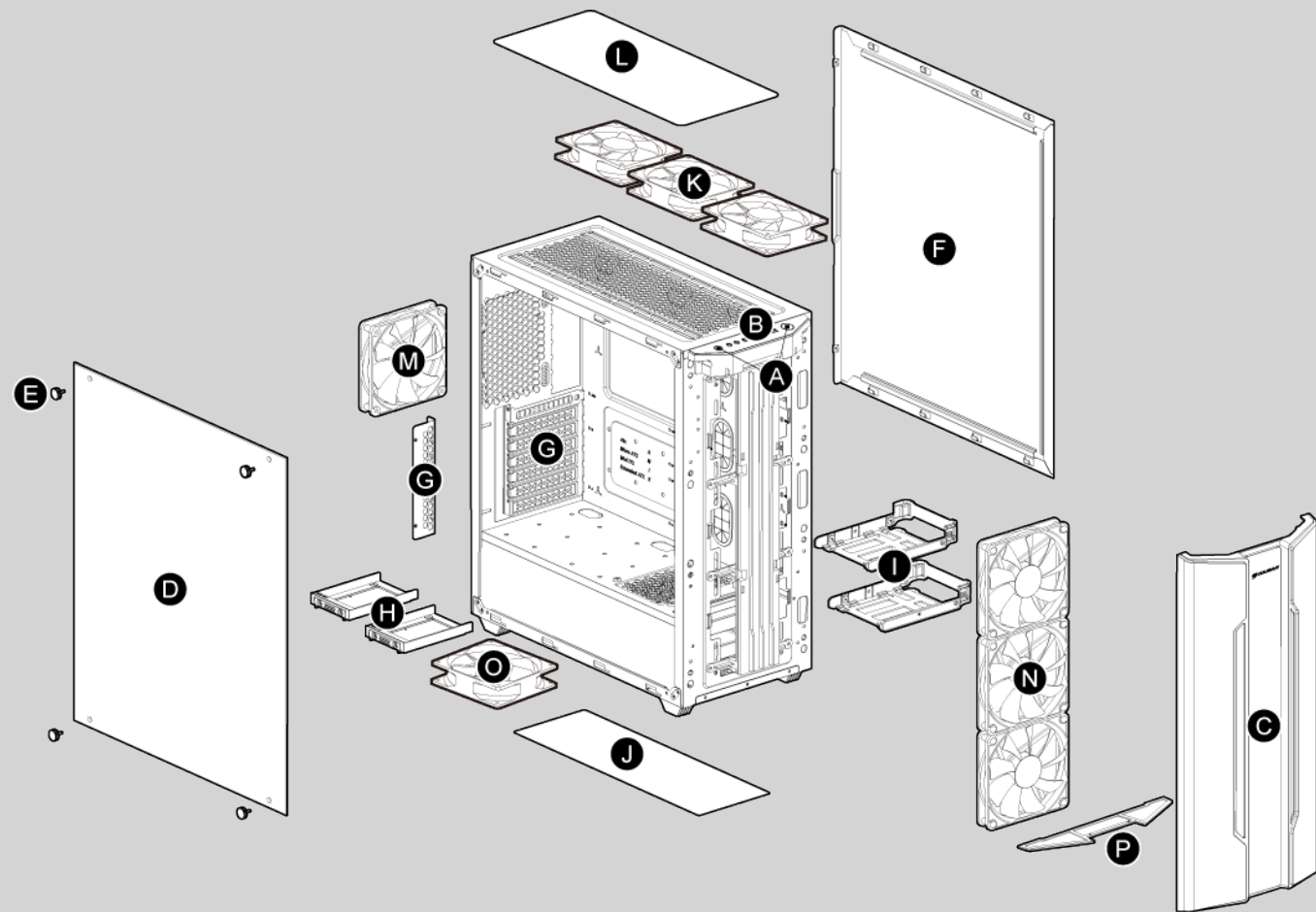
## INCREDIBLE STORAGE

Up to two 3.5" HDDs and five 2.5" SSDs or seven 2.5" SSDs will provide you with all the storage you need to install games and store all kinds of media.

Case Type	Mid Tower
Motherboard Type	Mini ITX / Micro ATX / ATX / CEB / E-ATX
Dimensions	210 (W) x 495 (H) x 463 (D)mm / 8.27 (W) x19.49 (H) x 18.23 (D)inch
Case Drive Bays	3.5" : 2 2.5" : 5+2 (converted from 3.5" drive bays)
I/O Panel	USB3.0 x 2, USB2.0 x 1, Mic x 1, Audio x 1, RGB Control Button
Cooling Fan Support	Front : 120mm x 3 Top : 120mm x 3 / 140mm x 2 Rear : 120mm x 1 (pre-installed) PSU Cover : 120mm x 1 (for HDD Cooling)
Maximum Number of Fans	8 Max.
Water Cooling Radiator Support	Front : 360mm / 240mm / 120mm Top : 360mm / 280mm / 240mm / 140mm / 120mm Rear : 120mm
Expansion Slots	7
Max. Graphic Card Length	410mm / 16.14inch
Max. CPU Cooler Height	175mm / 6.89inch
PSU	Standard ATX PS2
Max. PSU length	200 (mm) / 7.9 (in)
Onboard Lighting System	Trelux Lighting with Addressable RGB LEDs and Dynamic Lighting Effects in the Front Panel

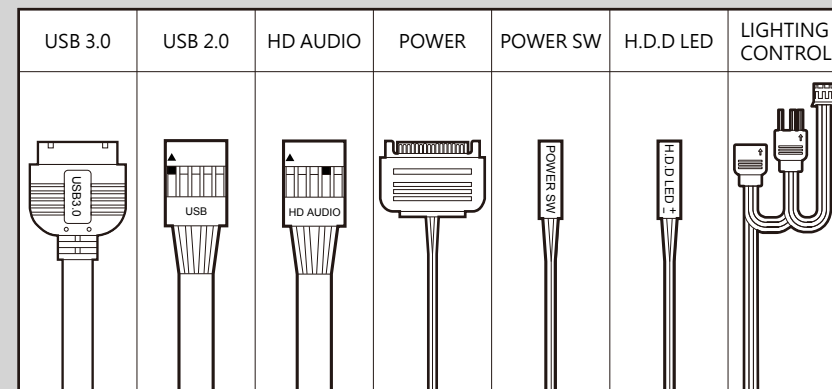
Specifications might vary depending on the country or region of sale.

## Assembly Drawing



- A** Power button / RGB Control Button
- B** USB3.0 x 2, USB2.0 x 1, Mic x 1, Audio x 1
- C** Removable front panel
- D** Tempered glass side cover
- E** Thumb screws
- F** Right side cover
- G** Slot covers
- H** 2.5" HDD/SSD trays
- I** 3.5" HDD trays (compatible for 2.5" HDD/SSD)
- J** Air filter on bottom cover
- K** 2 x 140 / 3 x 120mm fans for top panel (optional)
- L** Air filter on top cover
- M** 120mm fan for rear panel (pre-installed)
- N** 3 x 120mm fans for front panel (optional)
- O** 1 x 120mm fan on PSU Cover for HDD Cooling (optional)
- P** Air filter on front cover

### Installing the Front I/O Connectors



## FEATURES

### ENGLISH

- Trelux RGB System with 5V RGB Motherboard Synchronization
- Support for Mini ITX / Micro ATX / ATX / E-ATX Motherboards
- Up to Three 410mm Graphics Cards
- Up to Eight Fans (1 Standard Fan Preinstalled)
- Up to Three Water Cooling Radiators (Up to 360mm)
- Support for Two 3.5" HDDs and Five 2.5" SSDs or Seven 2.5" SSDs.

### DEUTSCH

- Trelux-RGB-System mit 5-V-RGB-Motherboard-Synchronisierung
- Unterstützt Mini-ITX/Micro-ATX/ATX/E-ATX-Motherboards
- Bis zu drei 410-mm-Grafikkarten
- Bis zu acht Lüfter (1 Standardlüfter vorinstalliert)
- Bis zu drei Wasserkühlungsradiatoren (bis zu 360 mm)
- Unterstützt zwei 3,5-Zoll-Festplatten und fünf 2,5-Zoll-SSDs oder sieben 2,5-Zoll-SSDs

### РУССКИЙ

- Система Trelux RGB с 5-вольтовой синхронизацией подсветки с материнской платой
- Поддержка материнских плат формата Mini-ITX / Micro ATX / ATX / E-ATX
- До трех 410-миллиметровых видеокарт
- До восемь вентиляторов (предустановлен 1 стандартный вентилятор)
- До трех водоохлаждающих радиаторов (до 360 мм)
- Поддержка двух 3,5-дюймовых жестких дисков и пяти 2,5-дюймовых SSD накопителей или семи 2,5-дюймовых SSD накопителей.

### ESPAÑOL

- Sistema Trelux RGB con Sincronización para Motherboard RGB de 5V
- Soporte para Motherboards Mini ITX / Micro ATX / ATX / E-ATX
- Hasta tres Tarjetas Gráficas de 410mm
- Hasta ocho Ventiladores (1 ventilador estándar pre-instalado)
- Hasta tres Radiadores de Water Cooling (de hasta 360mm)
- Soporte para dos HDDs de 3.5" y cinco SSDs de 2.5" o siete SSDs de 2.5"

### POLISH

- System Trelux RGB zsynchronizowany z płytą główną RGB 5V
- Obsługa płyt głównych Mini ITX / Micro ATX / ATX / E-ATX
- Maksymalnie trzy karty graficzne 410 mm
- Maksymalnie 8 wentylatorów (1 wentylator standardowy fabrycznie)
- Maksymalnie 3 radiatory chłodzenia wodnego (do 360 mm)
- Obsługa dwóch dysków twardej 3,5" i pięciu SSD 2,5" albo siedmiu SSD 2,5".

### 日本語

- "Trelux RGBシステム"は5VのマザーボードのRGB効果に同期します。
- Mini-ITX/ Micro-ATX/ ATXとE-ATXマザーボードに対応しています。
- 最大3つの410mmグラフィックカードに対応できます。
- 最大8個のファンを装着できます。(1個のファンをリアカバーにセットしている)
- 3つの水冷ラジエーターを装着可能です。(360mmの水冷ラジエーターを装着可能)
- 2つの3.5インチのHDD(或いは2つの2.5" SSDs)と5つの2.5" SSDを装着できます。

### FRANÇAIS

- Système RVB Trelux avec synchronisation carte mère RVB 5 V
- Prise en charge de cartes mères Mini ITX / Micro ATX / ATX / E-ATX
- Jusqu'à trois cartes graphiques 410 mm
- Jusqu'à huit ventilateurs (1 ventilateur standard préinstallé)
- Jusqu'à trois radiateurs de refroidissement par eau (Haut jusqu'à 360 mm)
- Prise en charge de deux disques durs 3,5" et cinq SSD 2,5" ou sept SSD 2,5".

### PORTUGUÊS

- Sistema Trelux RGB com Sincronização para Placa Mãe RGB de 5V
- Suporte para Placas Mães Mini ITX / Micro ATX / ATX / E-ATX
- Até três Placas de Vídeo de 410mm
- Até oito Ventoinhas (1 ventoinha padrão pré-instalada)
- Até três Radiadores de Water Cooling (Em cima até 360mm)
- Suporte para dois HDDs de 3.5" e cinco SSDs de 2.5" ou sete SSDs de 2.5"

### HUNGARIAN

- Trelux RGB rendszer 5 V-os RGB alaplap szinkronizálásával
- Támogatás Mini ITX / Micro ATX / ATX / E-ATX alaplapokhoz
- Max. három 410 mm-es grafikus kártya
- Max. nyolc ventilátor (1 szabványos ventilátor gyárilag telepítve van)
- Max. három vízhűtő radiátor (fent 360 mm-ig)
- Támogatás két 3,5"-os HDD-hez és öt 2,5"-os SSD-hez vagy hét 2,5"-os SSD-hez

### ITALIANO

- Sistema Trelux RGB con sincronizzazione scheda madre RGB 5V
- Supporto per schede madri Mini ITX / Micro ATX / ATX / E-ATX
- Fino a tre schede grafiche da 410 mm
- Fino a otto ventole (1 ventola standard preinstallata)
- Fino a tre radiatori di raffreddamento ad acqua (360 mm)
- Supporto per due HDD da 3,5" e cinque SSD da 2,5" o sette SSD da 2,5".

### 한국어

- 5V RGB 마더보드 동기화를 지원하는 Trelux RGB 시스템
- Mini ITX / Micro ATX / ATX / E-ATX 마더보드 지원
- 최대 3개의 410mm 그래픽 카드 장착 가능
- 최대 8개의 팬 설치 가능 (1개의 기본 팬 내장)
- 최대 3개의 수냉식 라디에이터(360mm)
- 3.5" HDD 2개와 2.5" SSD 5개 또는 2.5" SSD 7개 지원

### 中文

- Trelux RGB系统支持5V主板灯效同步控制功能
- 支持Mini ITX / Micro ATX / ATX / E-ATX主板
- 最高可安装 3组 410mm 显卡
- 最高支持8个风扇(背板预装1个风扇)
- 最高可安装 3个水冷散热器(支持最大长度 360mm 水冷排)
- 支持2个 3.5" HDD硬盘(可转换为2个2.5"SSD硬盘)与5个 2.5" SSD硬盘

## ACCESSORY KIT

	Motherboard/SSD screws	X 17
	Power supply screws	X 5
	2.5" HDD / SSD EVA washers	X 12
	Cable ties	X 5
	Fan screws (on PSU cover for HDD cooling)	X4
	Stand-off	X 3

### ДАТА ИЗГОТОВЛЕНИЯ ПРОДУКЦИИ

год и месяц изготовления продукции указаны в серийном номере продукта. (существует 2 способа определения даты изготовления, оба способа описаны ниже)

**A** После S/N: первые две цифры означают год, вторые две – месяц изготовления. Например, S/N: H1**702**000001 означает, что товар был произведен в феврале 2017 года.

**B** После S/N: если указаны буквы, то две буквы представляют цифры из таблицы ниже, и означают год, последующие две цифры – месяц изготовления. Например, S/N: **DAG02**REVI000001 означает, что товар был произведен в феврале 2017 года.

A	B	C	D	E	F	G	H	I	J
1	2	3	4	5	6	7	8	9	0

• Например, AG = 17 = 2017 год

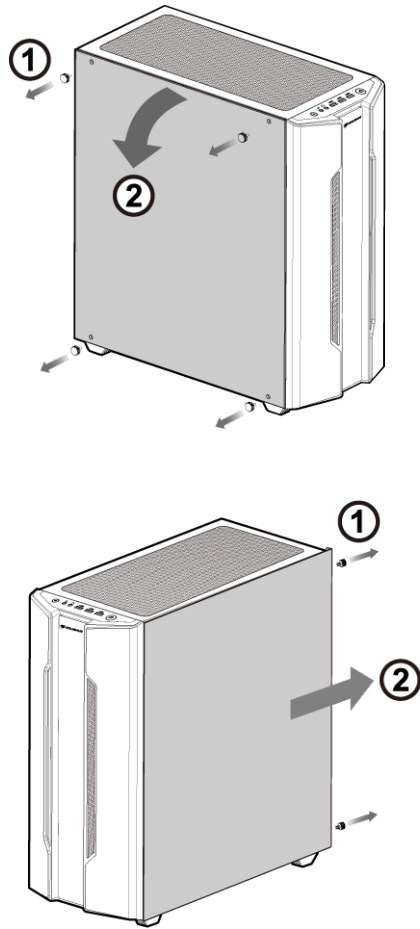
**تعليقات التركيب و الامان:**  
 - عند التركيب أو التفكيك يجب التأكد من أن جميع الأسلاك موصولة عن الكهرباء.  
 - يجب اتخاذ الاحتراوات اللازمة لمنع الصعق الكهربائي.  
 - يجب إرتداء الملابس المناسبة أثناء تركيب/ تجميع الكمبيوتر.

### GLOBAL WARRANTY POLICY

#### WARRANTY PERIODS OF COUGAR GAMING DEVICES

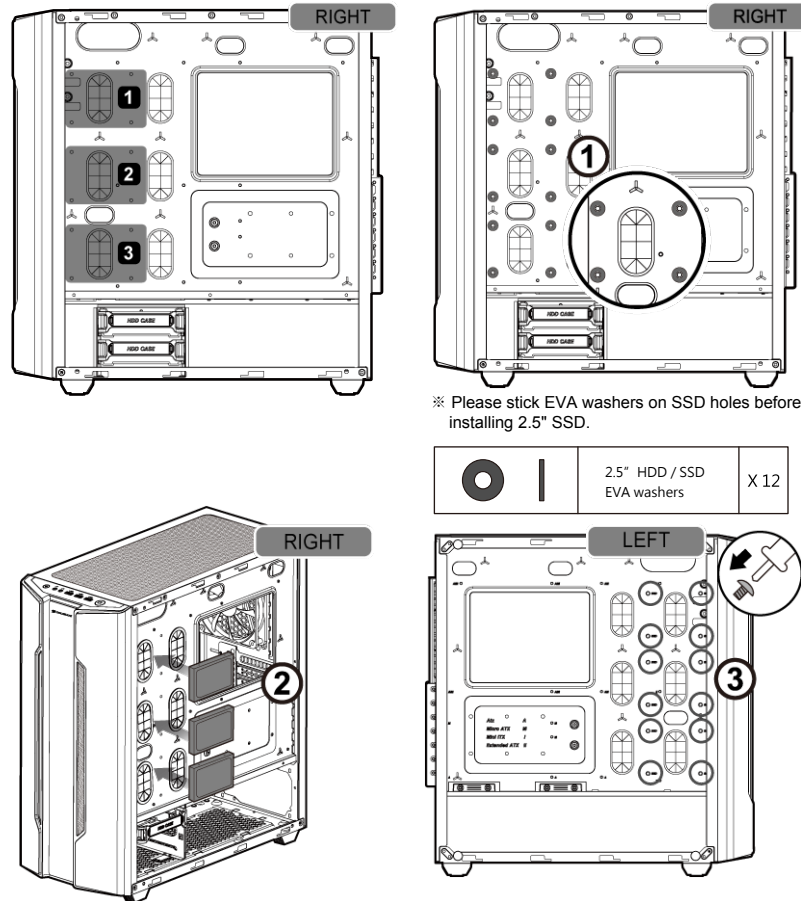
Product : COUGAR GEMINI S  
Warranty : 1 Year  
\*This warranty gives you specific legal rights. You may also have other rights granted under local law. These rights may vary.  
\*Only for electrical components

Removing the side panels



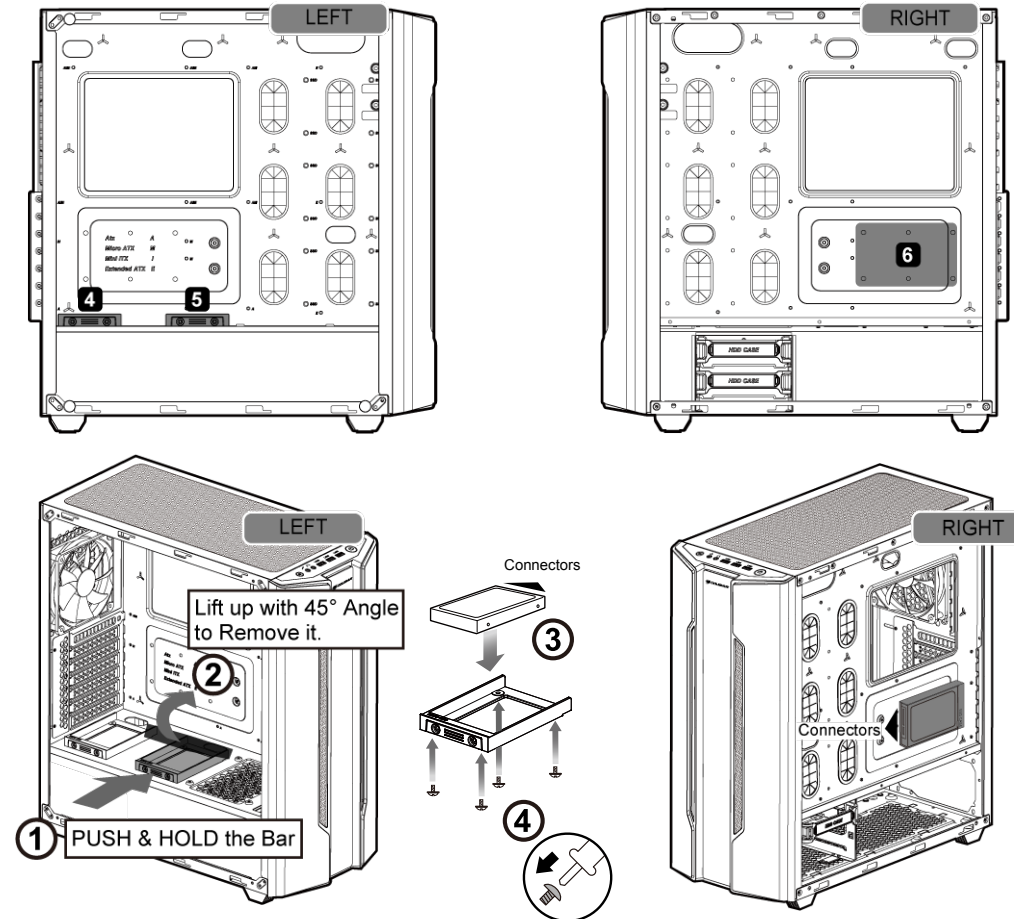
Installing an internal 2.5" HDD/SSD

Install with screws

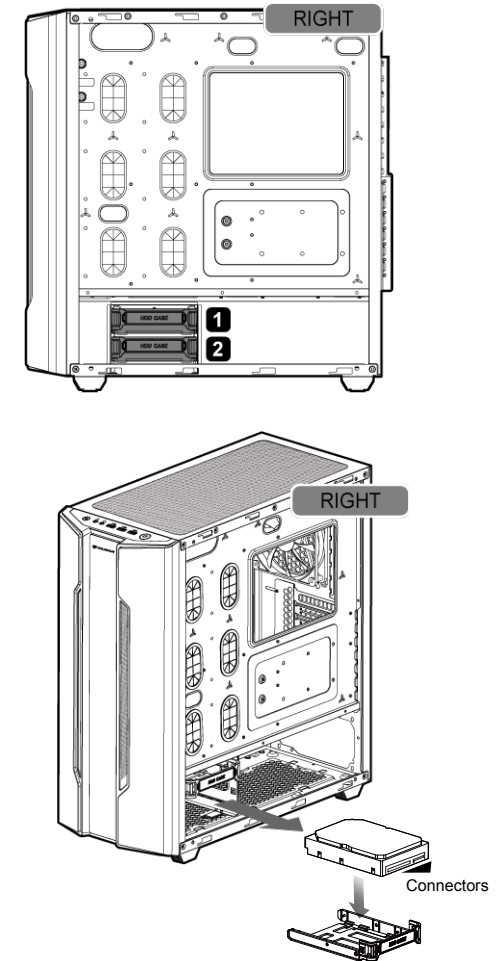


Install with trays

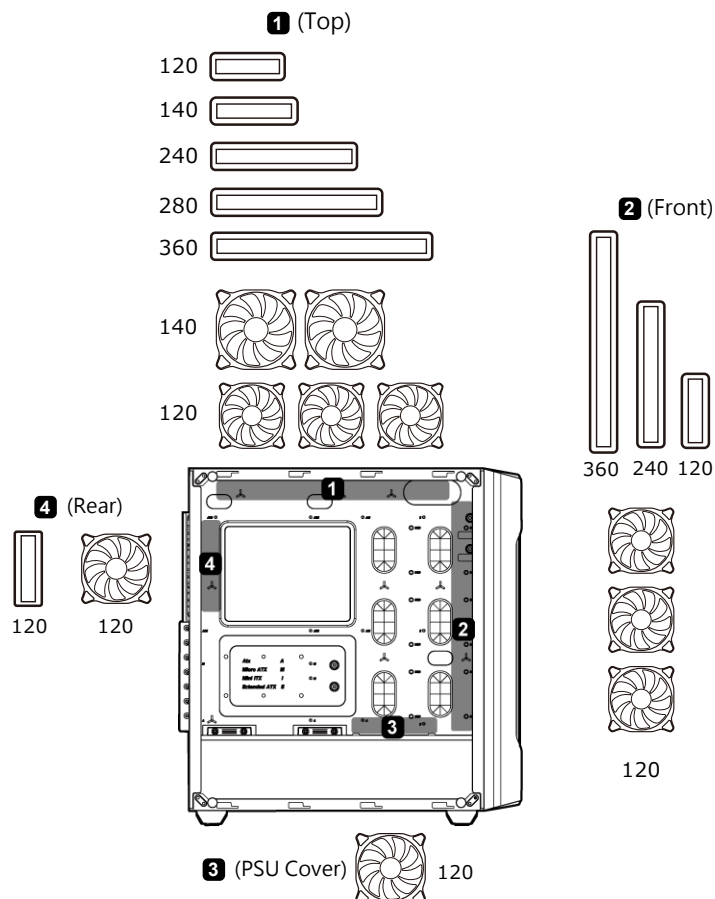
(There are two SSD trays in this case. Please select two locations you prefer to install.)



Installing an internal 3.5" HDD

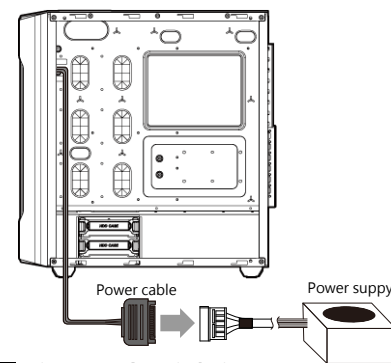


Installing water cooling radiators & cooling fans

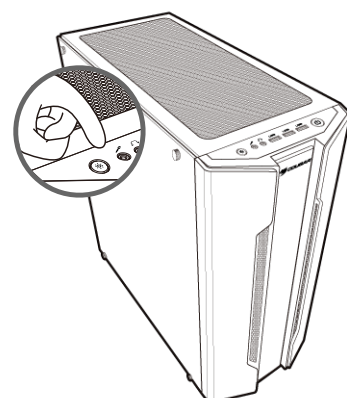


Gemini S's Trelux lighting system offers you several ways to control it:

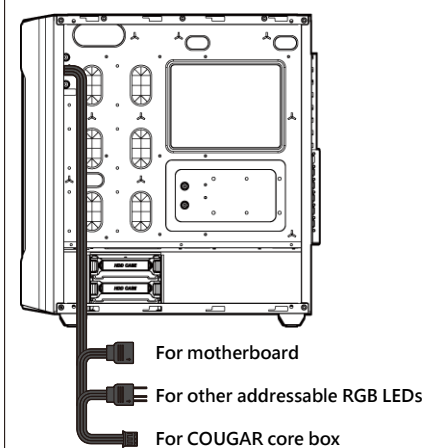
Please connect the power cable of the I/O panel to an appropriate SATA connector from the PSU in order to use the case's lighting functionality.



**First Mode: Lighting Button**  
You can use the front panel's dedicated button to switch between the fourteen beautiful lighting effects we have preset for you.

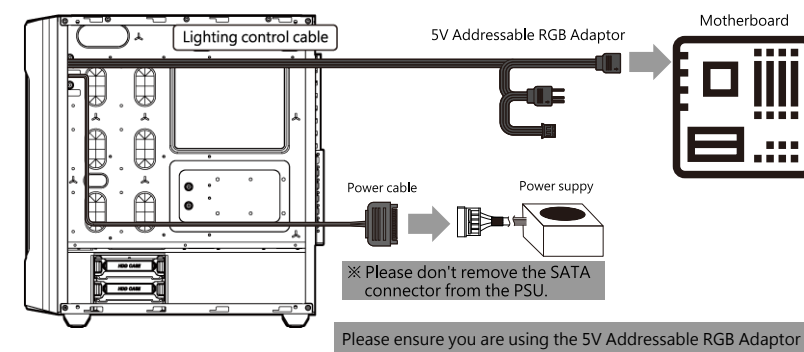


Lighting Control Cable Instructions



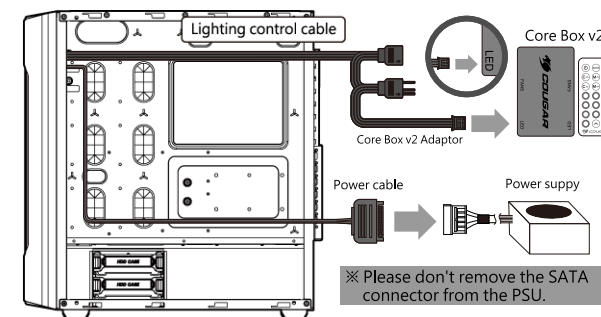
Second Mode: Motherboard Synchronization

Second, you can use the included adaptor (see picture below) to connect the Trelux system to a compatible motherboard's 3-pin 5V Addressable RGB header and enjoy system-wide RGB synchronization.

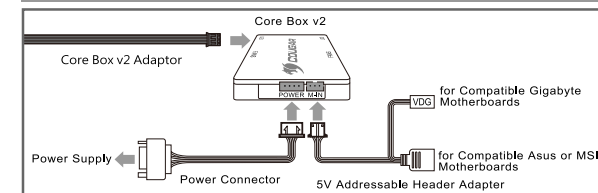


Third Mode: Core Box v2

You can also benefit from integrated control of Gemini S's Trelux lighting system, up to eight fans and two RGB LED Strips by connecting the case with the included adaptor to a COUGAR Core Box v2 (sold separately). This control box will allow you to enjoy 100 different synchronized lighting effects in all the above devices and manage them through the remote controller. As an alternative, you can also connect the Core Box v2 to a compatible motherboard's 3-pin 5V Addressable RGB header for system-wide synchronization.

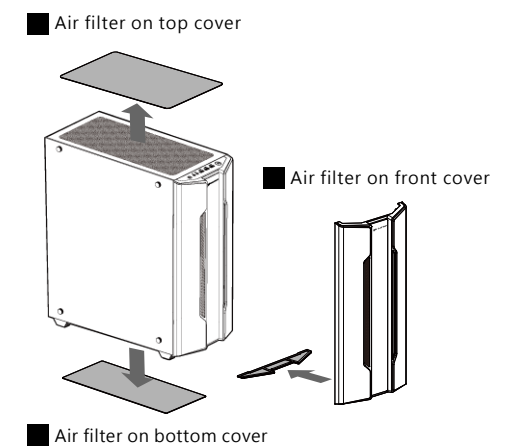


Please ensure you are using the Core Box v2 Adaptor

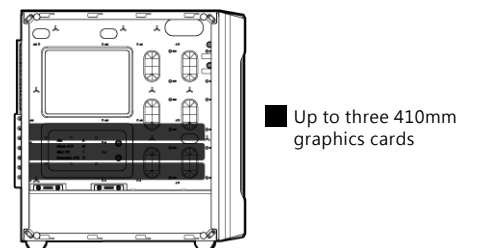


Note: When using the Trelux lighting in the second or third modes, the lighting control button will have no functionality assigned to it.

Removing the dust filters



Installing PCI-E cards



COUGAR USA Technical Service  
Tel: (833) 256-3778  
Mail: rma@compucaseusa.com  
<https://cougargaming.com/support/contact/upload/>

Compucase Enterprise Co.,Ltd.  
No. 225, Lane 54, An Ho Road Sec. 2 Tainan, Taiwan, R.O.C  
Tel: +886-6-356-0606  
Service E-Mail: service@cougargaming.com

For more information, please visit [www.cougargaming.com](http://www.cougargaming.com)  
Compucase Enterprise Co.,Ltd.  
All rights reserved.

