



MX440-G RGB

Tempered Glass Mid Tower with Sturdy and Solid Style

MX440-G RGB's design has continued COUGAR's iconic sturdy and solid style. With included three RGB fans, the tempered glass front panel showcases stunning lighting view. Besides, it has wide and powerful interior spaces, which allows you to have hardware expandability, high cooling performance, and abundant storage space.



Strength and Sturdy

MX440-G RGB's front panel features bold lines and rugged structures. It is the chassis that brings the new concept of strength and sturdy to the gaming world. Moreover, the tempered glass front panel allows internal lighting to create mesmerizing effects.



Massive Tempered Glass Left Panel

With the full-length PSU cover hides cables and a massive tempered glass left panel presents a clean and tidy build, you can easily build a pro-level system.



Wider but More Compact and Powerful

MX440-G RGB's 215mm width allows much larger interior space with better cooling performance and cable management. However, its compact exterior dimension takes up less desktop space. MX440-G RGB can surely fit a full-sized ATX Motherboard, 320mm-length Graphic card, four 2.5" SSDs, and two 3.5" HDDs, which allow you to achieve the extreme operation and abundant storage space.

215 mm



Incredible RGB Lighting

MX440-G RGB comes with 3 RGB fans. You are freely to control several amazing lighting effects that we have preset for you with the dedicated RGB button.



Sufficient for Multiple USB Devices

The top panel is equipped with two USB 3.0 ports and two USB 2.0 ports, let you easily connect multiple peripheral devices and accessory charging. Not only optimize your processing experiences, but also keep all USB devices without limitations.



* Top fans and radiators are optional, specifications might vary depending on the country or region of sale.
* The RGB fans of MX440 series do not support synchronization with motherboards.



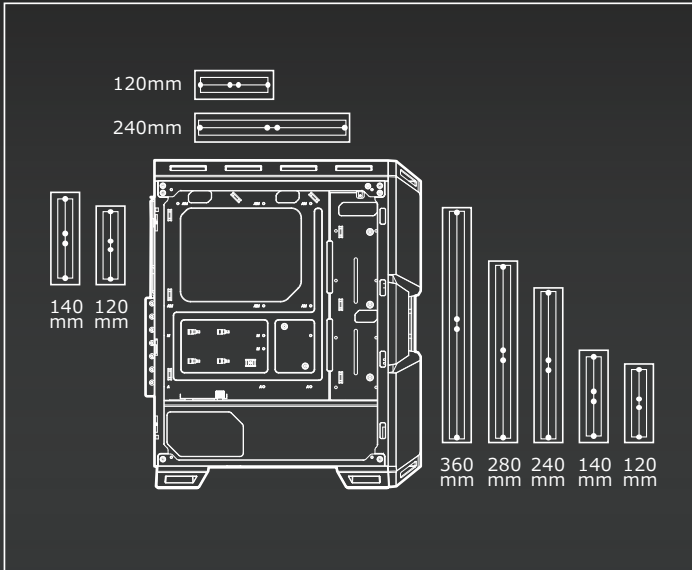
MX440-G RGB

Tempered Glass Mid Tower with Sturdy and Solid Style

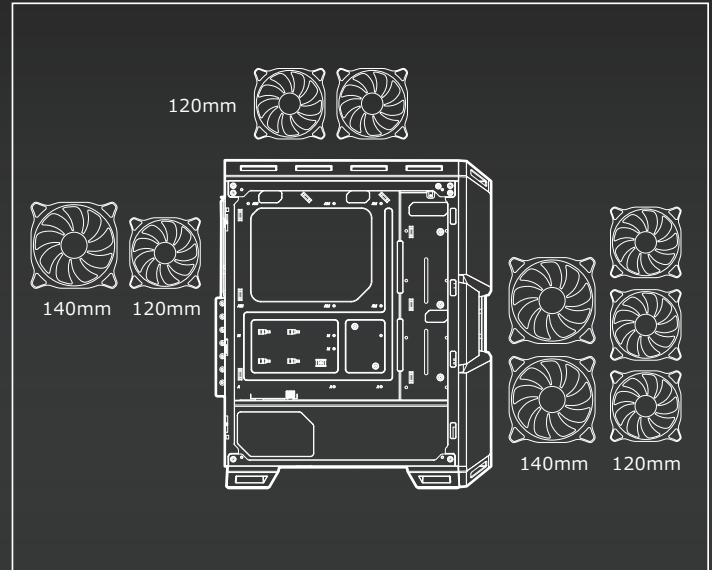
Strong Cooling Performance

MX440-G RGB's interior space supports up to 170mm height CPU air cooler, a 360mm water cooling radiator, and high-end cooling components. It helps you to protect critical components from overheating.

Water cooling radiator support



Air cooling support



SPECIFICATIONS

| | | | |
|-------------------|--|---------------------------|---|
| Model No. | CGR-56C2B-G-RGB | Water Cooling Support | Front : 360mm / 280mm / 240mm / 140mm / 120mm Top : 240mm / 120mm Rear : 140mm / 120mm |
| Case Type | Mid Tower | Cooling Fan Support | Front : 120mm x 3 / 140mm x 2 (120mm RGB Fans x 3 pre-installed) * The RGB fans of MX440 series do not support synchronization with motherboards. Rear : 120mm x 3 / 140mm x 2 (120mm RGB Fans x 3 pre-installed) |
| Motherboard Type | Mini ITX / Micro ATX / ATX | Maximum Number of Fans | 6 Max. |
| Dimension (WxHxD) | 215 x 505 x 424 (mm) / 8.5 x 19.9 x 16.7 (in) | Max. Graphics Card Length | 320 (mm) / 12.6 (in) * Horizontal graphics card slots are compatible with RTX 3090/3080/3070. |
| Case Drive Bays | 3.5" : 2 2.5" : 4 + 1 (converted from 3.5" drive bays) / (2 SSD trays included) | Max. CPU Cooler Height | 170 (mm) / 6.7 (in) |
| I/O Panel | USB 3.0 x 2, USB 2.0 x 1, Mic x 1 / Audio x 1, RGB Button | Transparent Left Panel | 4mm Tempered Glass |
| Expansion Slots | 7 | | |
| Max. PSU Length | 150 (mm) / 5.9 (in) | | |

PACKING DATA

| | | | |
|----------------------|---------------|---|--|
| Product Name | MX440-G RGB | Individual Size W/O Packaging Weight (N.Weight) | 6.29 (kg) |
| Product Number (P/N) | 3856C20.0001 | Individual Packaging Weight (G.Weight) | 7.74 (kg) |
| EAN CODE | 4710483771293 | Individual Size W/O Packaging (WxHxD) | 215 x 505 x 424 (mm) / 8.5 x 19.9 x 16.7 (in) |
| UPC CODE | 192554002453 | Individual Packaging Size (WxHxD) | 287 x 572 x 486 (mm) / 11.3 x 22.51 x 19.13 (in) |
| JAN CODE | 4541995034916 | | |



MX440

COMPARISON



| | MX440-A | MX440 Mesh RGB | MX440-G RGB |
|------------------------|--|---|--------------------|
| Model No. | CGR-56C3B-A | CGR-56C1B-MESH-RGB | CGR-56C2B-G-RGB |
| Front Panel | Plastic with Brushed Metal-like Finish | Mesh | Tempered Glass |
| I/O Panel | Type C 3.1 x 1, USB 3.0 x 2, Mic x 1 / Audio x 1, Reset Button | USB 3.0 x 2, USB 2.0 x 1, Mic x 1 / Audio x 1, RGB Button | |
| Pre-installed Fans | Front | 120mm RGB Fans x 3 | |
| | Rear | 120mm RGB Fan x 1 | - |
| Transparent Left Panel | 4mm Tempered Glass | | |