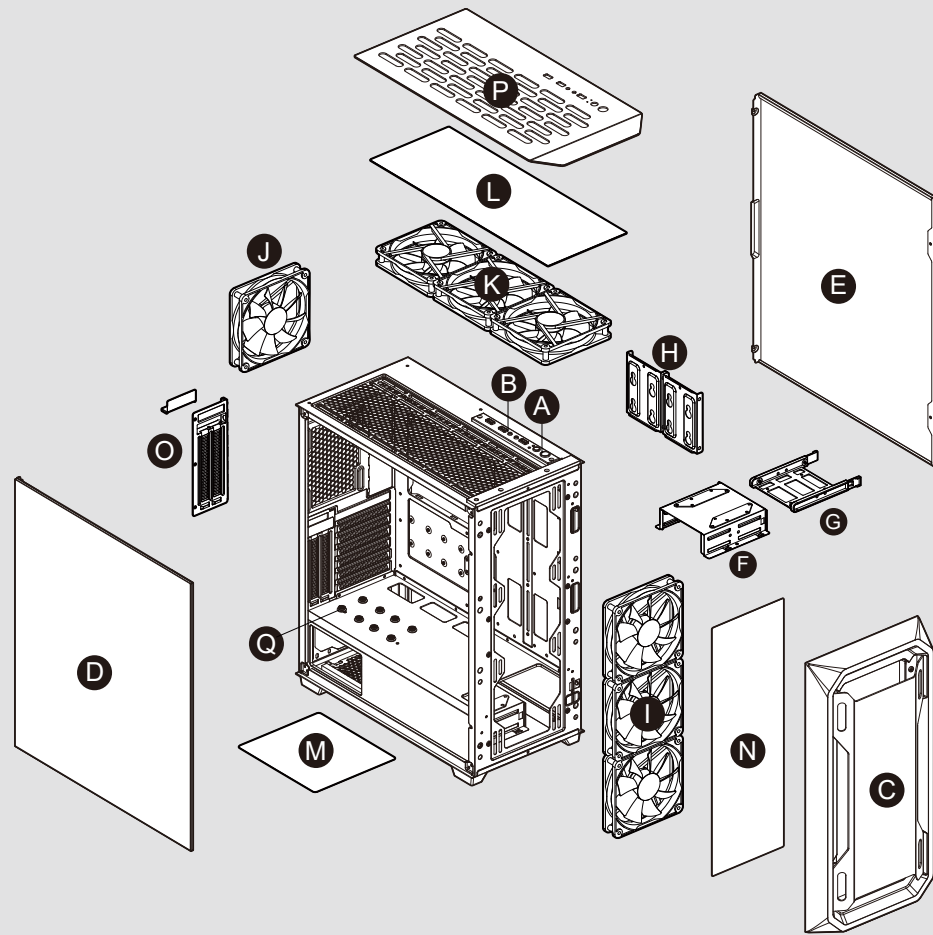




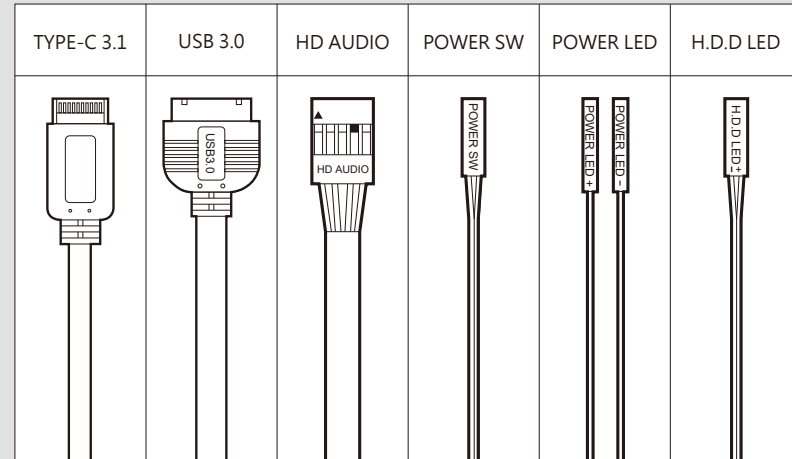
MX670 RGB

Assembly Drawing



- A** Power button / RGB button
- B** Type C 3.1 / USB 3.0 / HD audio ports
- C** Front panel
- D** Tempered glass side panel
- E** Right side panel
- F** 3.5" HDD cage (compatible for 2.5" HDD/SSD)
- G** 3.5" HDD trays (compatible for 2.5" HDD/SSD)
- H** 2.5" HDD/SSD trays
- I** 3 x 120mm / 3 x 140mm fans for front panel (ARGB VK120 fans x 3 pre-installed)
- J** 120mm fan for rear panel (optional)
- K** 3 x 120mm / 2 x 140mm fans for top panel (optional)
- L** Air filter for top panel
- M** Air filter for bottom panel
- N** Air filter for front panel
- O** Slot covers
- P** Top panel
- Q** Rubber screws of 2.5" SSD trays

Installing the Front I/O Connectors



ACCESSORY KIT

		Motherboard screws & 2.5" SSD screws	X 19
		Power supply screws & 3.5" HDD screws	X 13
		Stand-off for motherboard	X 3
		Fan screws	X 12
		Stand-off for VGA riser cable	X 2
		Cable ties	X 4
		Slot covers	X 2

PREMIUM MID TOWER CASE WITH BRUSHED ALUMINUM CRAFTSMANSHIP
MX670 RGB is a premium mid tower case features sleek design and tempered glass left panel. The front and top panels are made of aluminum alloys, which shows perfect combination of visual effects, doughy style, and sturdy quality. With three included ARGB VK120 fans and an LED strip, the amazing light creates visually impressive RGB shows. It also has excellent cooling performance and superior expandability for high-end hardware and storage devices. MX670 RGB is the most ideal and valuable case for PC enthusiasts and professionals.

CREATIVE, REFLECTIVE, AND ATTRACTIVE
MX670 RGB has distinctive top and front panels featuring eye-catching brushed aluminum construction. The front panel is designed with minimalist style, which is forged with fine aluminum alloys and folding angles. It presents a strong, modern and unique design. The hollow areas ensure excellent airflow and the top panel has ARGB LED strip to present attractive reflection.

ENJOY THE DAZZLING RGB SHOW
The integrated lighting button with built-in LED controller allows MX670 RGB to display amazing lighting effects. It's also adaptable with any compatible motherboards' 5V ARGB connection for system-wide lighting synchronization. The powerful lights come out of a stylish panel and the reflective surroundings helps reinforce the RGB effects.

THREE ARGB VK120 FANS INCLUDED
VK120 fan has Tri-Directional RGB Circle that delivers powerful and bright RGB lighting effect. In addition, it also equipped with excellent Hydro-Dynamic-Bearing and PWM function to provide more durable and silent performance.

EASY ACCESS AND CONNECTIVITY FOR ALL YOUR DEVICES
With USB 3.1 Gen-2 Type-C and USB 3.0 ports, MX670 RGB connects to the latest devices. It also brings high-speed connections to fulfill massive data transfer needs for the ultimate PC enthusiast.

MASSIVE TEMPERED GLASS LEFT PANEL
The PSU cover and massive tempered glass left panel presents a clean and tidy build that hides cables. Instead of drilling into the tempered glass, we use metal frames to more easily build a pro-level system and upgrade its durability.

VERTICAL GPU SUPPORT
This revolutionary case is both about performance and aesthetics. MX670 RGB also supports vertical GPU installation to bring any system's performance to the limit.

TOP-NOTCH GAMING HARDWARE
To offer top-notch performance, MX670 RGB is able to accommodate a mighty build. Its excellent support for up to 400mm-long graphics cards and E-ATX motherboards brings unprecedented freedom for hardware systems.

SUPERIOR COOLING
With seven fans and solid support for up to a 360mm water cooling radiator, you will enjoy superior cooling horsepower to keep advanced components safe from overheating.

GLOBAL WARRANTY POLICY
WARRANTY PERIODS OF COUGAR GAMING DEVICES
Product : COUGAR MX670 RGB
Warranty : 1 Year
• This warranty gives you specific legal rights. You may also have other rights granted under local law.
• These rights may vary.
• Only for electrical components.

ДАТА ИЗГОТОВЛЕНИЯ ПРОДУКЦИИ
год и месяц изготовления продукции указаны в серийном номере продукта. (существует 2 способа определения даты изготовления, оба способа описаны ниже)
A После S/N: первые две цифры означают год, вторые две – месяц изготовления. Например, S/N: H1702000001 означает, что товар был произведен в феврале 2017 года.
B После S/N: если указаны буквы, то две буквы представляют цифры из таблицы ниже, и означают год, последующие две цифры – месяц изготовления. Например, S/N: DAG02REVI000001 означает, что товар был произведен в феврале 2017 года.

A	B	C	D	E	F	G	H	I	J
1	2	3	4	5	6	7	8	9	0


• Например, AG = 17 = 2017 год

Model Name	MX670 RGB	
Model No.	CGR-5UM6B-RGB	
Case Form Factor	Mid Tower	
Motherboard Type	Mini ITX / Micro ATX / ATX / CEB / E-ATX	
Dimensions (WxHxD)	220 (W) x 492(H) x 465 (D) mm 8.7 (W) x 19.4 (H) x 18.3 (D) in	
I/O Panel	Type C 3.1 x 1, USB 3.0 x 2, Mic x 1 / Audio x 1, RGB Button	
3.5" Drive Bay	2	
2.5" Drive Bay	2+2 (converted from 3.5" drive bays) / (2 SSD trays included)	
Expansion Slots	7+2	
Cooling Fan Support	Front	*120mm x 3 / 140mm x 3 (ARGB VK120 fans x 3 pre-installed)
	Top	120mm x 3 / 140mm x 2
	Rear	120mm x 1
Maximum Number of Fans	7 Max.	
Water Cooling Support	Front	*360mm / 280mm / 240mm / 140mm / 120 mm
	Top	*360mm / 280mm / 240mm / 140mm / 120 mm
	Rear	120mm
Transparent Left Panel	4mm Tempered Glass	
Onboard Lighting System	Yes	
RGB Sync with M/B	Yes	
Max. Graphics Card Length	400 (mm) / 15.7 in	
Max. CPU Cooler Height	170 (mm) / 6.7 in	
Max. PSU Length	180 (mm) / 7.1 in	

Specifications might vary depending on the country or region of sale.
*Please choose either of front or top to install a 360mm radiator.
*Please choose either of a TOP 360mm radiator or FRONT 120mm x 3 fans to install.

БЪЛГАРИЯ

• Подробни инструкции за употреба изтеглете от: <https://cougargaming.com/bg>



България QR код

ENGLISH

- Elegant brushed aluminum front panel
- Integrated RGB system with 5V ARGB motherboard synchronization
- Massive tempered glass left panel
- Support for up to E-ATX motherboard
- Support for up to a 360mm water cooling radiator and seven fans
- Support for up to 400mm graphics cards
- Support for vertical GPU
- Support for two 3.5" HDDs and two 2.5" SSDs or four 2.5" SSDs.

DEUTSCH

- Elegante Frontblende aus gebürstetem Aluminium
- Integriertes RGB-System mit 5-V-ARGB-Motherboard-Synchronisierung
- Linke Blende aus massivem Hartglas
- Unterstützt Motherboards bis E-ATX
- Unterstützt einen Wasserkühlkörper bis 360 mm und sieben Lüfterherboard
- Unterstützt Grafikkarten bis 400mm
- Unterstützt vertikale GPU
- Unterstützt zwei 3,5-Zoll-Festplatten und zwei 2,5-Zoll-SSDs oder vier 2,5-Zoll-SSDs

ESPAÑOL

- Elegante panel frontal de aluminio cepillado
- Sistema RGB integrado con sincronización de placa base con 5V ARGB
- Panel izquierdo de cristal templado masivo
- Soporte para la placa madre de hasta E-ATX
- Soporte para un radiador de refrigeración de agua de hasta 360 mm y siete ventiladores
- Soporte para tarjetas gráficas de hasta 400mm
- Soporte para la GPU vertical
- Soporte para dos discos duros de 3,5" y dos SSD de 2,5" o cuatro SSD de 2,5"

日本語

- エレガントなヘアライン加工アルミニウム製フロントパネル
- ARGBシステムは5VのマザーボードのRGB効果に同期します
- 強化ガラスウィンドウでPCの内部が見えるので内部のパーツを引き立てます
- E-ATXマザーボードに対応
- 7個のファンと360mmの水冷ラジエーターを装着でき、優れた放熱効果を確保します
- 最大400mmグラフィックカードに対応できます
- グラフィックカードを垂直に取付可能
- 3.5"のHDDを2個と2.5" SSDを2個もしくは2.5"SSDを4個搭載可能

PORTUGUÊS

- Painel frontal de alumínio escovado elegante
- Sistema RGB integrado com sincronização de placa mãe de 5V ARGB
- Painel esquerdo em vidro maciço temperado
- Apoio até à placa-mãe E-ATX
- Suporte para um radiador de arrefecimento a água até 360mm e sete ventiladores
- Suporte para placas gráficas até 400mm
- Suporte para GPU vertical
- Suporte para dois HDD de 3,5" e dois SSD de 2,5" ou quatro SSD de 2,5"

РУССКИЙ

- Элегантная передняя панель из полированного алюминия
- Интегрированная система RGB подсветки с 5V ARGB синхронизацией материнской платы
- Массивная боковая панель из закаленного стекла
- Поддержка всех материнских плат до формата E-ATX
- Поддержка водяного охлаждения радиатора размером до 360 мм и семь вентиляторов
- Поддержка всех видеокарт размером до 400 мм
- Поддержка вертикального графического процессора
- Поддержка двух 3.5-дюймовых HDD и двух 2.5-дюймовых SSD или четыре 2.5-дюймовых SSD.

FRANÇAIS

- Panneau frontal élégant en aluminium brossé
- Système RGB intégré avec synchronisation de la carte mère ARGB 5V
- Panneau gauche en verre trempé massif
- Prise en charge des cartes mères jusqu'à E-ATX
- Prise en charge d'un radiateur de refroidissement à eau de 360 mm et de sept ventilateurs
- Prise en charge des cartes graphiques jusqu'à 400mm
- Compatible avec les GPU verticaux
- Compatible avec deux disques durs de 3,5" et deux disques durs de 2,5" ou quatre disques durs de 2,5"

中文

- 高质感铝拉丝金属面板
- RGB整合系统支持5V ARGB主板板灯效同步控制功能
- 全景透视钢化玻璃左侧盖
- 最高支援E-ATX主机板
- 最高支援360mm水冷排与7个风扇
- 最高可安装400mm显卡
- 支援显卡垂直安装
- 支援2个 3.5英寸 HDD硬盘(可转换为2个2.5英寸SSD硬盘)与4个2.5英寸SSD硬盘

POLISH

- Elegancki panel przedni ze szrotkowanego aluminium
- Zintegrowany system RGB zsynchronizowany z płytą główną przez złącze ARGB 5 V
- Lewy panel ze szkła hartowanego
- Obsługa płyt głównych do E-ATX
- Obsługa chłodnicy wodnej o szerokości do 360 mm i siedmiu wentylatorów
- Obsługa kart graficznych o długości do 400mm
- Obsługa procesora graficznego montowanego pionowo
- Obsługa dwóch dysków twardej 3.5" HDD i dwóch dysków 2.5" SSD lub cztery dysków 2.5" SSD

ITALIA

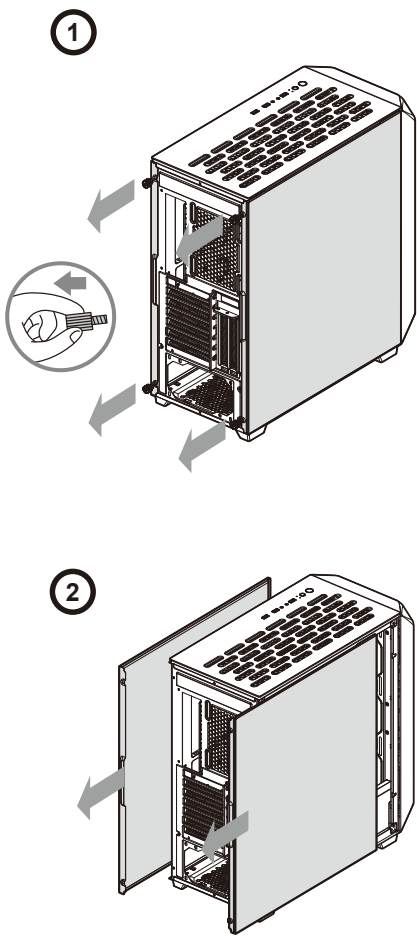
- Elegante pannello frontale in alluminio spazzolato
- Sistema RGB integrato con sincronizzazione della scheda madre ARGB 5 V
- Pannello sinistro in vetro temperato massiccio
- Supporto fino a una scheda madre E-ATX
- Supporto per un radiatore per raffreddamento ad acqua fino a 360 mm e sette ventole
- Supporto per schede grafiche fino a 400mm
- Supporto per GPU verticale
- Supporto per due HDD da 3,5" e due SSD da 2,5" o quattro SSD da 2,5"

한국어

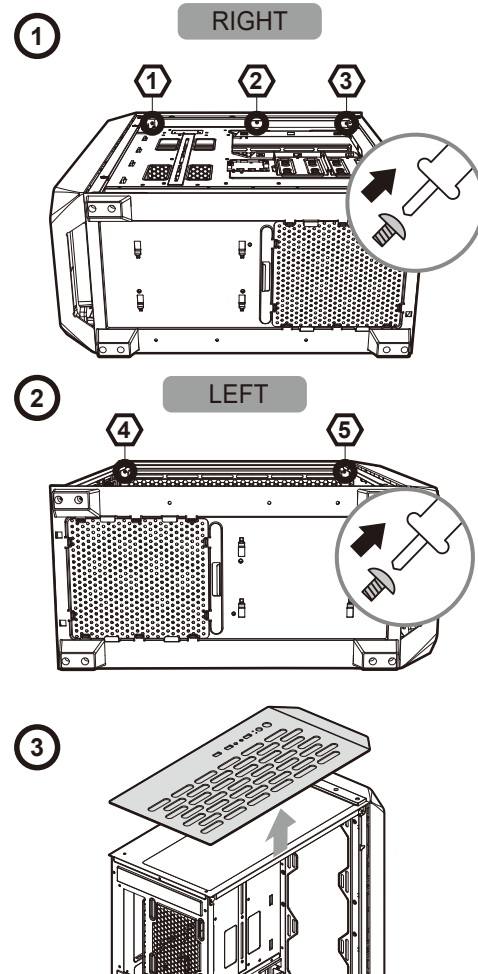
- 우아한 브러쉬드 알루미늄 전면 패널
- 5V ARGB 마더 보드 동기화 기능이있는 통합 RGB 시스템
- 좌측 패널의 크고 단단한 대형 강화유리
- 최대 E-ATX 마더보드 지원
- 최대 360mm 수랭식 라디에이터 및 팬 7개 지원
- 최대 400mm 그래픽 카드 지원
- 수직 GPU 지원
- 3.5" HDD 2개 및 2.5" SSD 2개 또는 2.5" SSD 4개 지원

• يجب تركيب كل قطعة بحذر و بمكانها المناسب.
• من يقوم بعمليات التركيب الشخص المختص فقط.
تعليمات التركيب و الامان:
• عند التركيب أو التفكيك يجب التأكد من أن جميع الاسلاك مفضولة عن الكهرباء.
• يجب اتخاذ الاحتراوات اللازمة لمنع الصعق الكهربائي.
• يجب ارتداء الملابس المناسبة أثناء تركيب، تجمع الكمبيوتر.

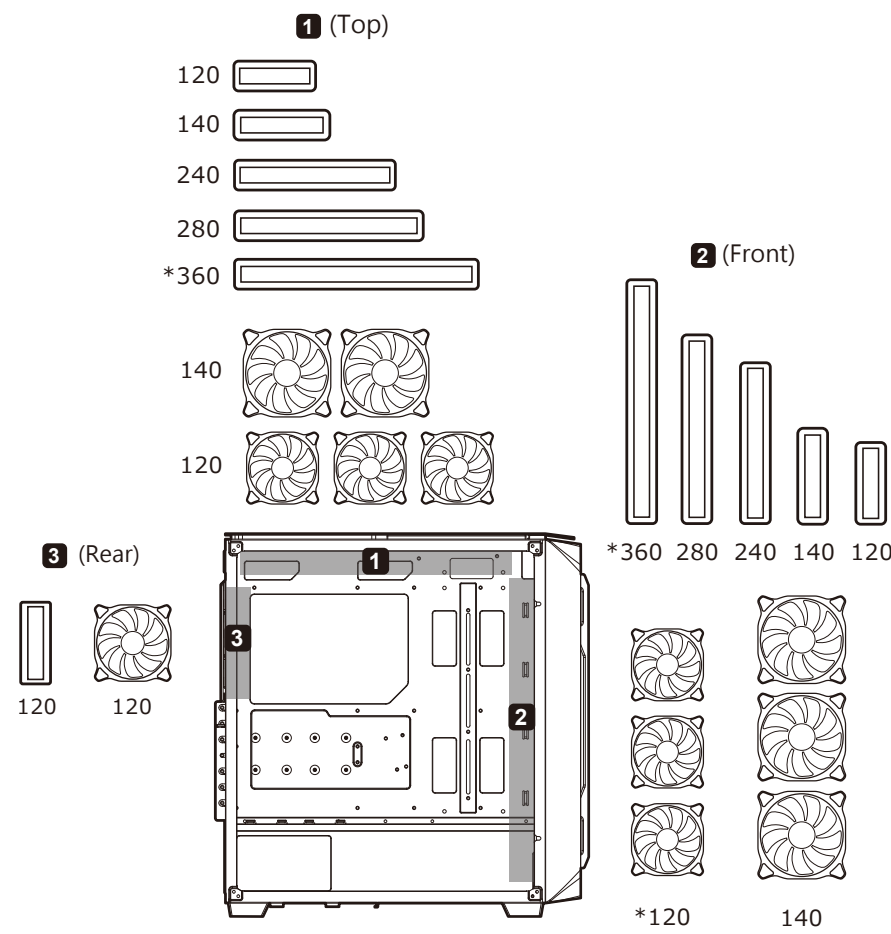
Removing the side panels



Removing the top panel

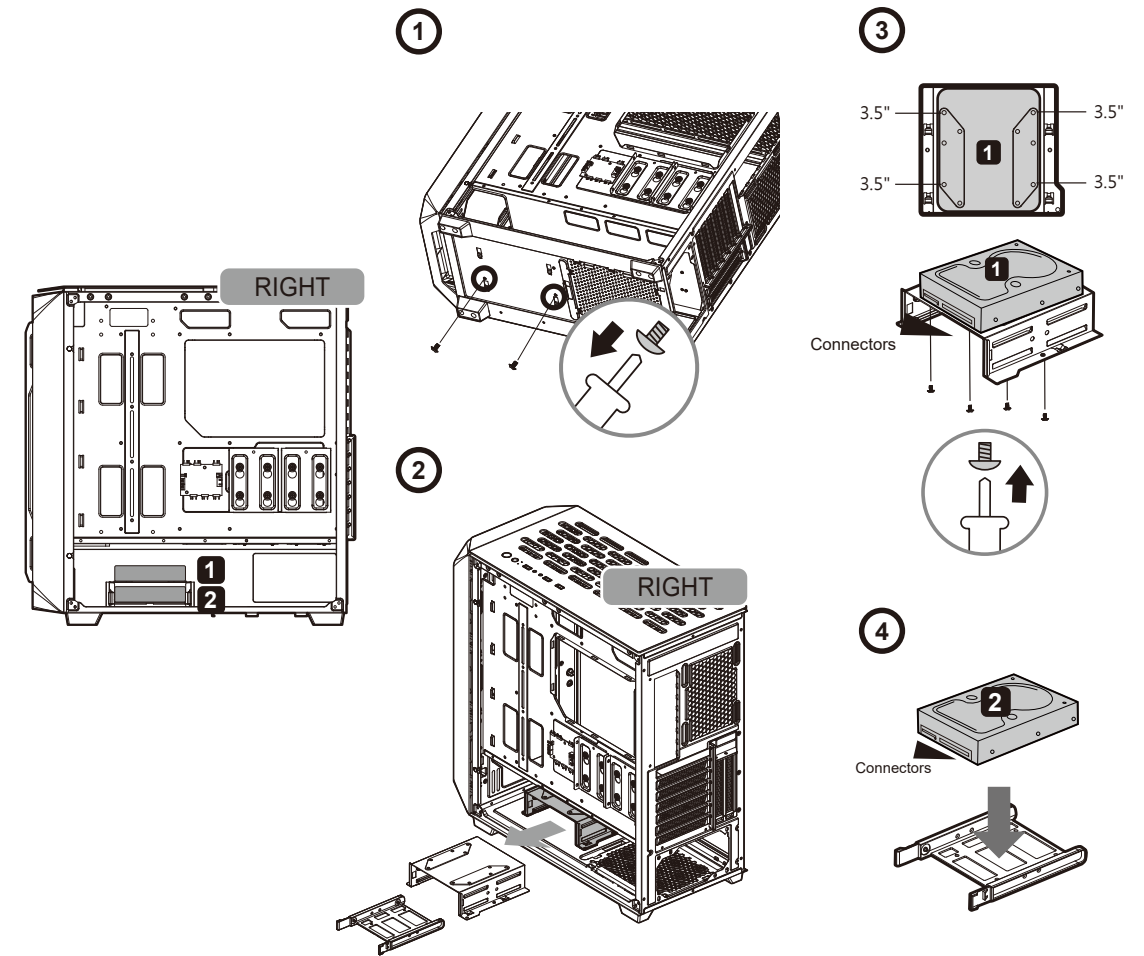


Installing water cooling radiators & cooling fans



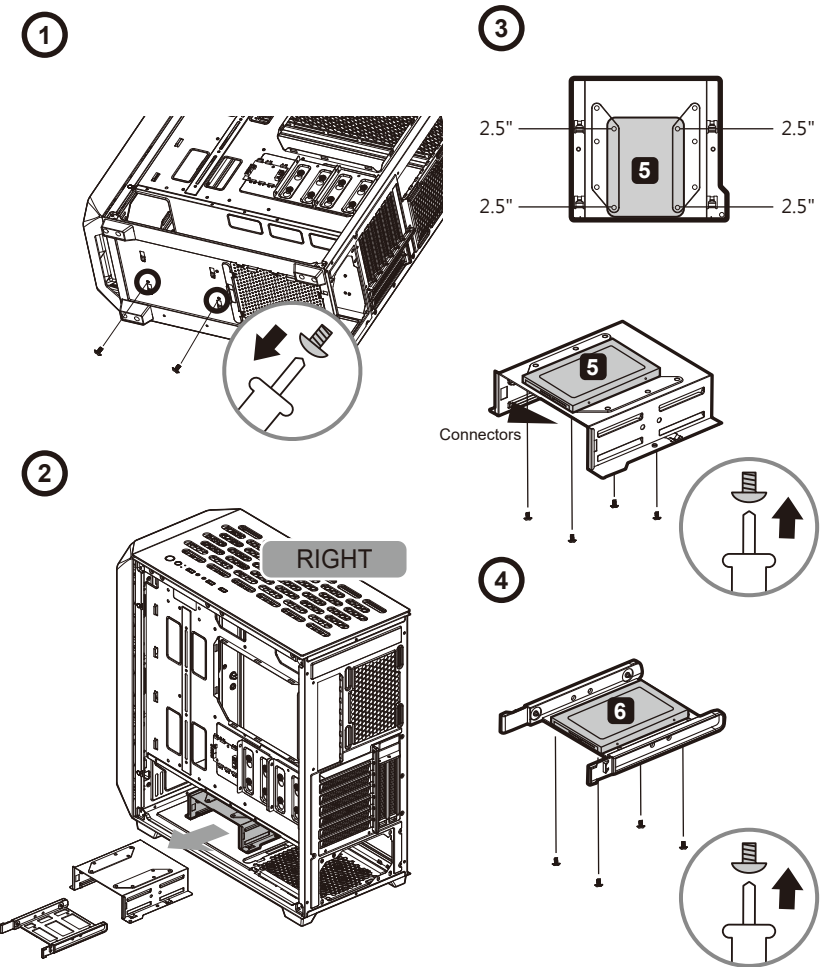
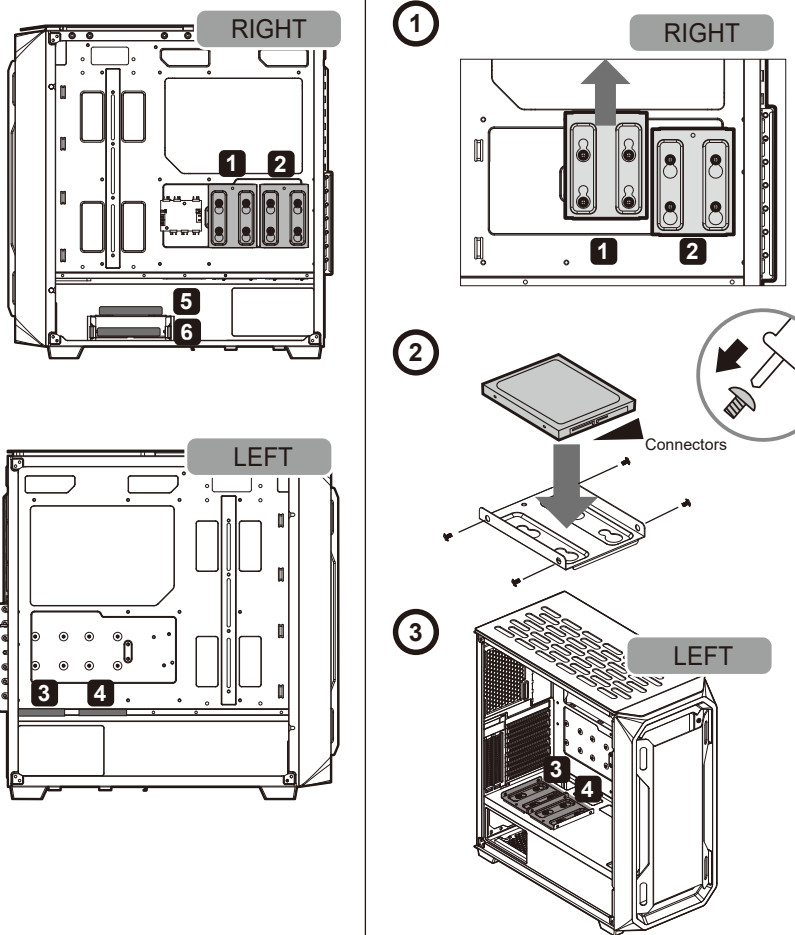
*Please choose either of front or top to install a 360mm radiator.
*Please choose either of a TOP 360mm radiator or FRONT 120mm x 3 fans to install.

Installing 3.5" HDDs

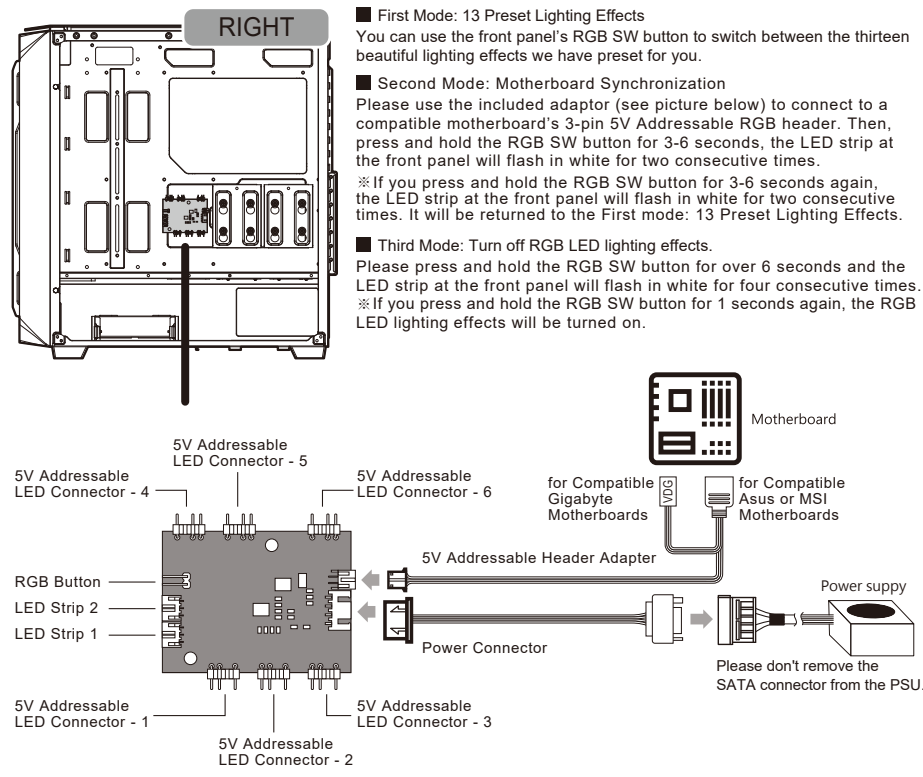


Installing 2.5" SSDs /HDDs

Install with trays
(There are two SSD trays in this case. Please select two locations you prefer to install.)



RGB & Fan control system

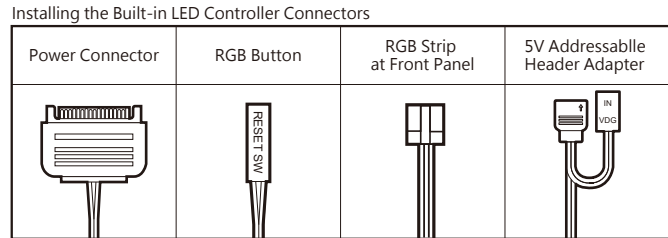


First Mode: 13 Preset Lighting Effects
You can use the front panel's RGB SW button to switch between the thirteen beautiful lighting effects we have preset for you.

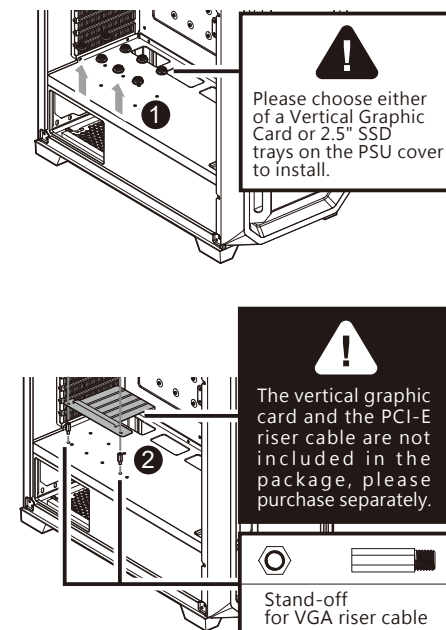
Second Mode: Motherboard Synchronization
Please use the included adaptor (see picture below) to connect to a compatible motherboard's 3-pin 5V Addressable RGB header. Then, press and hold the RGB SW button for 3-6 seconds, the LED strip at the front panel will flash in white for two consecutive times.

※ If you press and hold the RGB SW button for 3-6 seconds again, the LED strip at the front panel will flash in white for two consecutive times. It will be returned to the First mode: 13 Preset Lighting Effects.

Third Mode: Turn off RGB LED lighting effects.
Please press and hold the RGB SW button for over 6 seconds and the LED strip at the front panel will flash in white for four consecutive times.
※ If you press and hold the RGB SW button for 1 seconds again, the RGB LED lighting effects will be turned on.



Installing vertical graphic card



Please choose either of a Vertical Graphic Card or 2.5" SSD trays on the PSU cover to install.

The vertical graphic card and the PCI-E riser cable are not included in the package, please purchase separately.

Stand-off for VGA riser cable

